

PARTS LIST

* * *

EVINRUDE FLEETWIN

MODELS 7514, 7515, 7516 AND 7517

INSTRUCTIONS ON HOW TO ORDER

For their convenience, as well as ours, we ask our customers to carefully follow our instructions in ordering parts.

We also request that owners order their parts from our dealer or nearest service station or distributor.

ORDER BY PART NUMBER GIVING NAME OF PART ALSO.

ALWAYS GIVE THE SERIAL NUMBER OF THE MOTOR FOR WHICH PART OR PARTS ARE REQUIRED.

This is very important, and is necessary to intelligently fill your order. If you cannot give the number of the motor, state when and from whom the motor was purchased.

TELEGRAMS AND HOW TO USE "EVINRUDE CODE."

Telegram rates are based on fifteen words or less, for immediate delivery. Day letter or night letter rates are considerably cheaper. Detailed information may be found on rear of any telegram blank.

Use the following code only on messages of more than fifteen words. Each five code letters are charged

for as a word. English words and code words may be used in the same message, but code letters cannot be combined with English words.

A - 1	G - 7	L - Air Parcel Post
B - 2	H - 8	M - Freight - Truck
C - 3	I - 9	V - Air Express
D - 4	J - 0	X - Express
E - 5	K - Each	Y - Parcel Post
F - 6	P - Number	Z - Freight - Railway

Following is an example of a telegram not coded and the same reduced to code:

(NOT CODED - 22 WORDS.)

Parcel Post Two Number One Three Naught Naught Four Four Propeller Nut Twelve Number One Three Naught Naught Five Three Shear Pins.

(CODED - 8 WORDS.)

YBPAC JJDD Propeller Nut ABPAC JJEC Shear Pins.

Do not use this code in cable messages.

ROUTING • TERMS • RETURNS

SHIPPING INSTRUCTIONS.

Unless specific instructions accompany the order, we will use our own judgement on how to ship.

TERMS: CASH WITH ORDER OR C.O.D.

In ordering parts, to avoid C.O.D. shipments and extra charges, all orders should be accompanied by cash. Save time and money by remitting sufficient cash to cover cost of parts and Transportation Charges. Stamps are accepted in payment of all orders not over \$1.00. The right to hold all

orders unaccompanied by cash is reserved by Evinrude Motors, Milwaukee.

A minimum charge of \$0.50 net will be made on all orders amounting to less than this amount. We reserve the right to furnish additional parts to make up the difference.

INSTRUCTIONS ON RETURNING PARTS.

Parts can only be returned in accordance with terms outlined under the Service Policy laid down in the instruction manual.

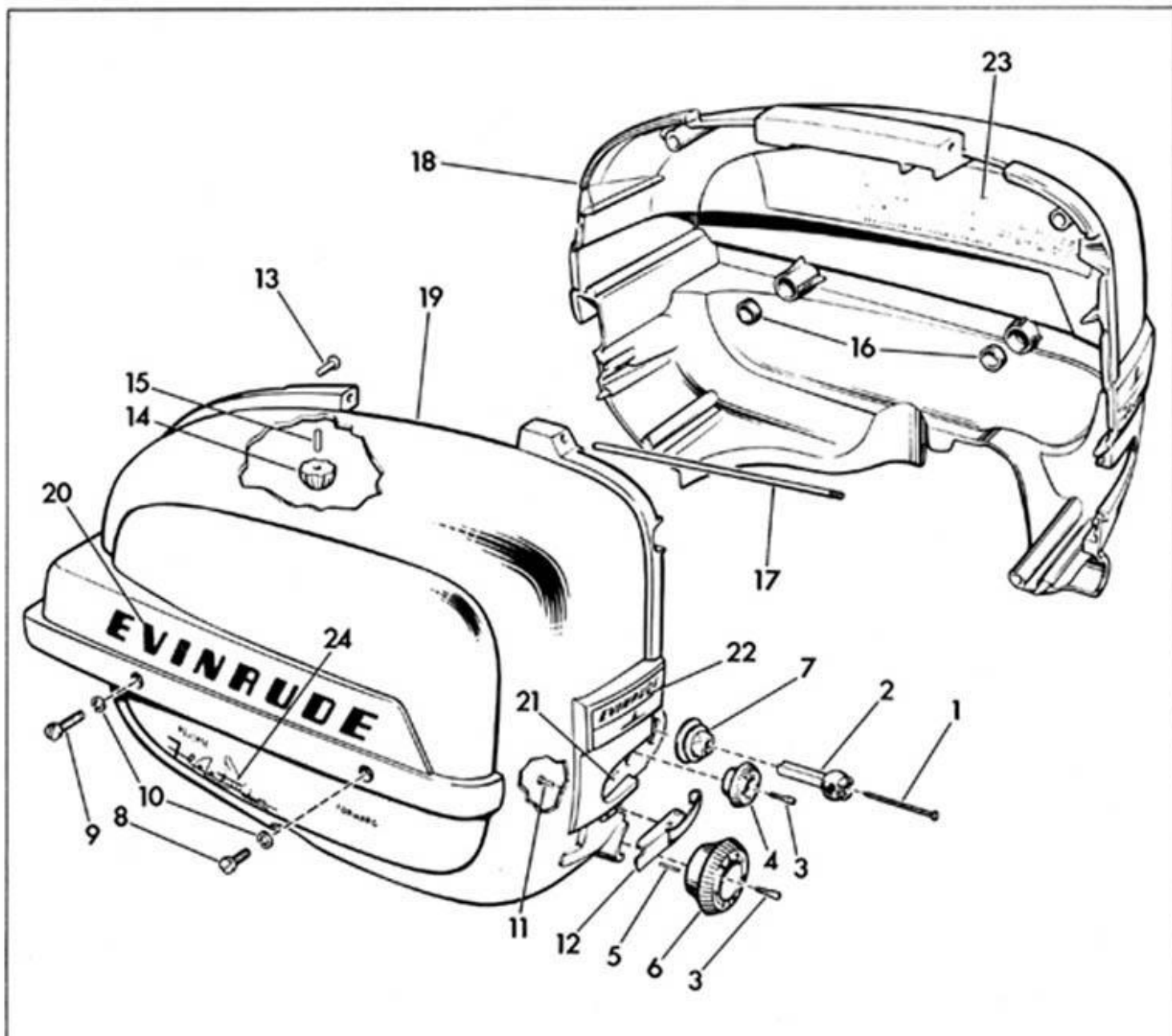
* * *

ALL PRICES SUBJECT TO CHANGE WITHOUT NOTICE

EVINRUDE MOTORS, Milwaukee, Wis., U.S.A.

CABLE ADDRESS "EVINRUDE"

FLEETWIN MOTOR COVER

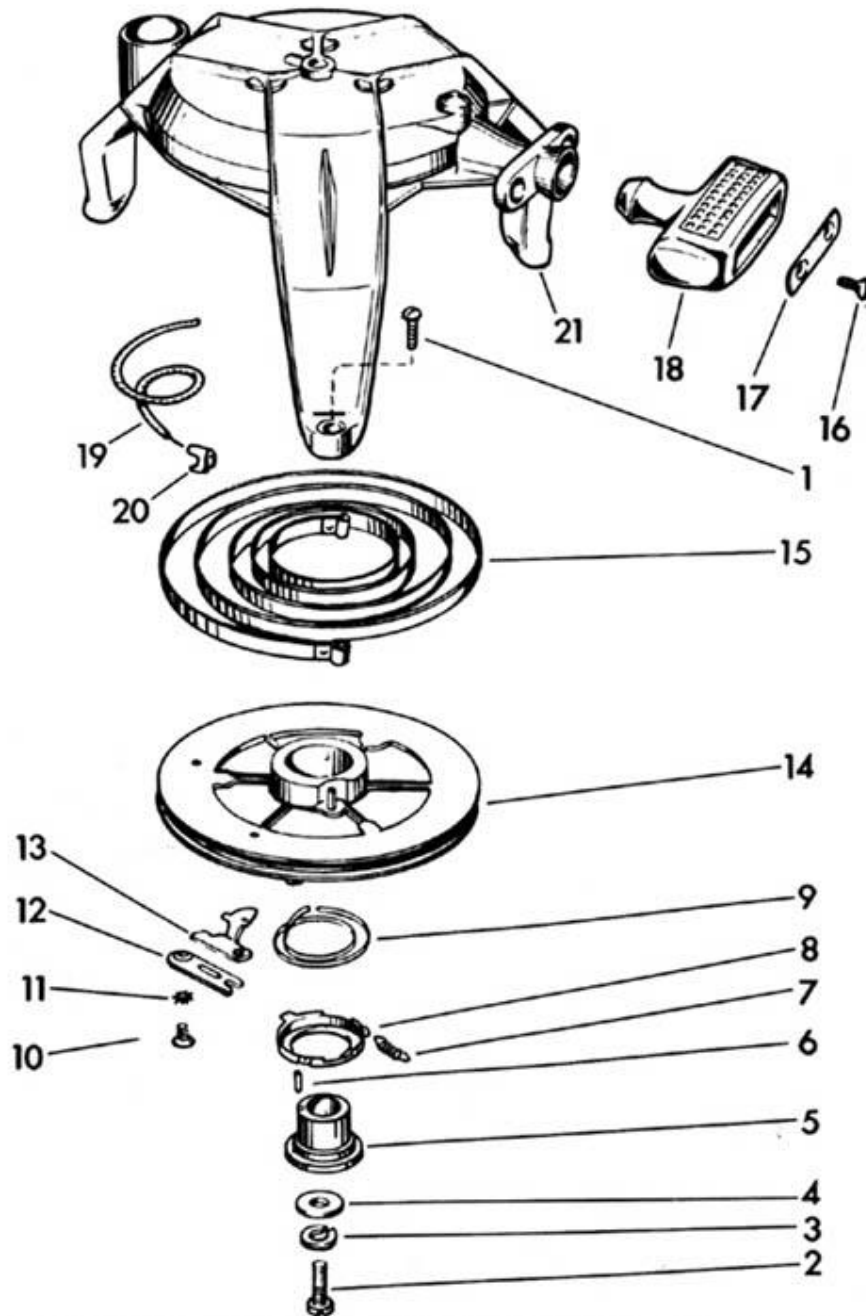


REF. NO.	PART NO.	NAME OF PART	QTY.	REF. NO.	PART NO.	NAME OF PART	QTY.
1	203414	Choke knob screw	1	14	203455	Cover to starter housing bumper	1
2	203413	Choke control knob	1	15	303619	Cover to starter housing pin . . .	1
3	551517	High and low speed knob screws .	2	16	203454	Cover mount spring socket	2
4	203294	Control knob and stop pin, slow speed	1	17	203279	Motor cover hinge pin	1
5	303182	High speed knob stop pin	1	18	277289	Motor cover assembly - Port . . .	1
6	277309	Control knob and stop pin, high speed	1	19	277333	Motor cover assembly - Starboard	1
7	203361	Choke knob grommet	1	20	203430	Motor cover transfer	2
8	203300	Motor cover screw, starboard, front	1	21	203428	Instruction location transfer	1
9	203202	Motor cover screw, starboard, rear	1	22	203427	Medallion transfer - Starboard . . .	1
10	302376	Motor cover screw lockwasher . . .	2	23	203429	Starting and operating transfer . . .	1
11	71X1001	Latch to cover rivet	4	24	203425	Model identification transfer - Starboard	1
12	277284	Cover latch assembly	2	*	203424	Model identification transfer - Port	1
13	203290	Motor cover bumper	4	*	203426	Medallion transfer - Port	1

*Not Shown

ORDER YOUR PARTS FROM YOUR DISTRICT SERVICE STATION.

FLEETWIN STARTER

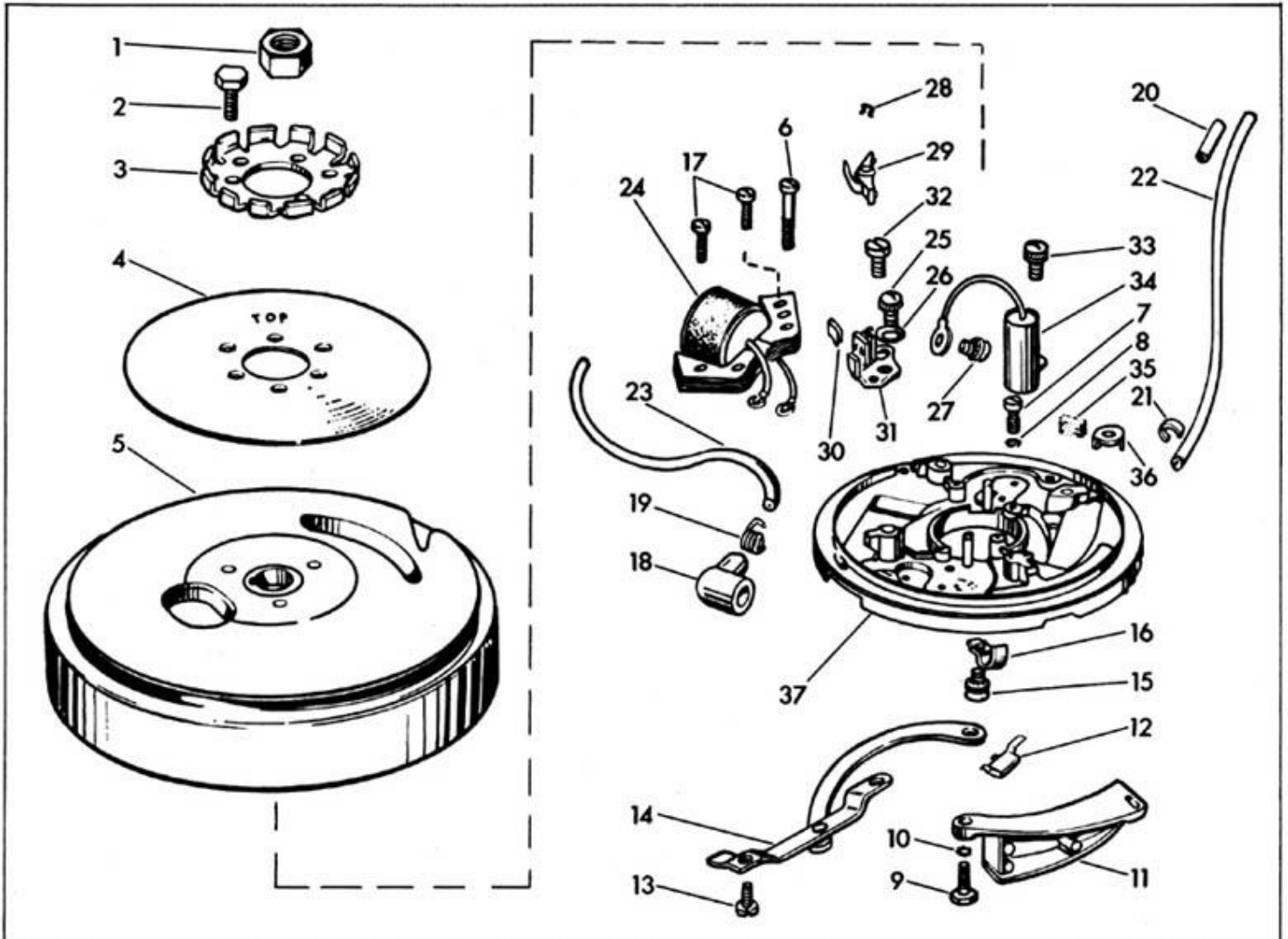


REF. NO.	PART NO.	NAME OF PART	QTY.	REF. NO.	PART NO.	NAME OF PART	QTY.
*	277342	Starter housing assembly	1	12	202317	Starter pawl retainer	3
1	303288	Starter housing to powerhead screw	3	13	202470	Starter pawl	3
2	13X588	Spindle to starter housing screw	1	14	276589	Starter pulley assembly	1
3	13X51	Starter retaining screw lockwasher	1	15	41B197	Starter spring	1
4	202356	Starter spindle washer	1	*	277295	Starter handle, clamp plate and screw assembly	1
5	276643	Starter spindle and pin	1	16	41X205	Clamp plate to handle screw . . .	2
6	202156	Starter spindle pin	1	17	203434	Starter rope handle clamp plate	1
7	202155	Equalizer spring	3	18	277294	Starter handle and insert	1
8	202114	Equalizer cup	1	19	44A19	Starter rope	1
9	302222	Starter friction spring	1	20	43A144	Starter rope anchor	1
10	302104	Starter pawl retainer screw . .	3	21	376099	Starter housing and pin	1
11	71X1026	Starter pawl retainer screw lockwasher	3				

*Not Shown

ORDER YOUR PARTS FROM YOUR DISTRICT SERVICE STATION.

FLEETWIN MAGNETO

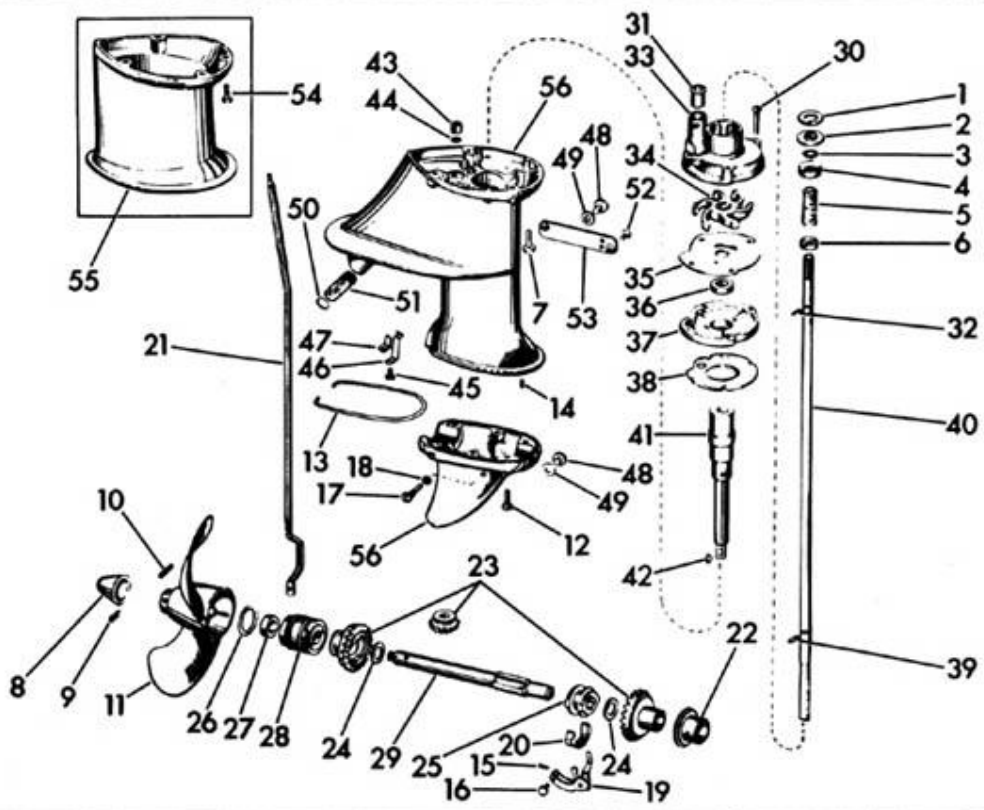


REF. NO.	PART NO.	NAME OF PART	QTY.	REF. NO.	PART NO.	NAME OF PART	QTY.
1	301988	Flywheel nut	1	22	510256	High tension lead - upper	1
2	302468	Ratchet to dome screw	3	*	580178	High tension lead assembly - upper	1
3	202111	Starter ratchet	1	23	510257	High tension lead - lower	1
4	303249	Inspection hole cover	1	*	580179	High tension lead assembly - lower	1
5	580150	Flywheel assembly	1	24	580118	Coil assembly	2
6	510191	Armature plate mounting screw	2	25	15X249	Breaker mounting screw	2
7	510192	Armature plate mounting screw	2	26	510208	Bow washer	2
8	3X28	Lockwasher	2	27	510194	Breaker terminal screw	1
9	302750	Cam to armature plate screw	2	*	580148	Breaker assembly	2
10	21X200	Armature plate cam screw washer	2	28	71A1052	Spring clip	2
11	203380	Armature plate cam	1	29	580123	Rocker arm assembly	2
12	303146	Armature plate link spring clip	1	30	510204	Breaker spring clip	2
13	510193	Linkage assembly to armature plate screw	2	31	580122	Breaker base assembly	2
14	376064	Throttle control plate and link assembly	1	32	510185	Breaker eccentric screw	2
15	510193	High tension lead clip mounting screw	2	33	510193	Condenser mounting screw	2
16	510259	High tension lead clamp	1	34	510173	Condenser	2
17	510195	Lamination mounting screw	4	35	510189	Oiler wick	1
18	510232	Spark plug rubber cover	2	36	510188	Oiler clip	1
19	510231	Spring terminal	2	37	580121	Armature plate and post	1
20	510233	H. T. lead insulating sleeve	2	*	580172	Armature plate assembly - Models 7514-7515	1
21	120783	Marker	1	*	580182	Armature plate assembly - Models 7516-7517	1

*Not Shown

ORDER YOUR PARTS FROM YOUR DISTRICT SERVICE STATION.

FLEETWIN GEAR CASE

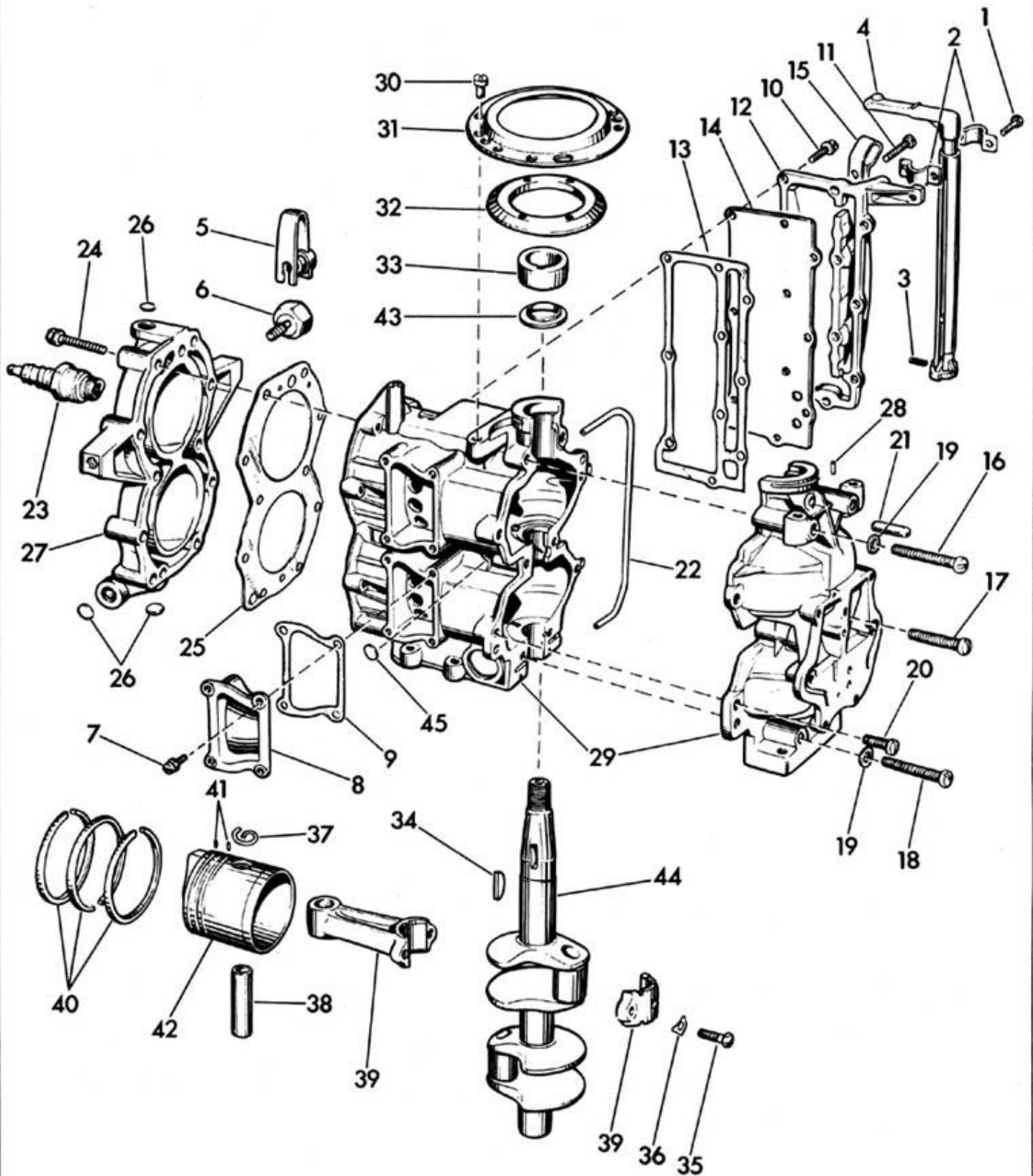


REF. NO.	PART NO.	NAME OF PART	QTY.	REF. NO.	PART NO.	NAME OF PART	QTY.
*	376275	Gear case assembly, complete . .	1	29	303443	Propellor shaft	1
1	303355	Drive shaft to crankcase gasket . .	1	30	303395	Impeller housing screw	4
2	303356	Drive shaft to crankcase plate . .	1	31	302497	Water tube grommet	1
3	303347	Lower bearing seal to drive shaft "O" ring	1	32	303261	Drive shaft drive pin	1
4	303391	Lower bearing to drive shaft seal	1	33	303442	Impeller housing	1
5	303357	Lower bearing to crankcase seal spring	1	34	277181	Impeller assembly	1
6	303327	Lower bearing seal spring washer	1	35	303376	Impeller housing plate	1
7	302325	Gear case to D/S casing screw . .	4	36	300599	Bearing housing seal	1
8	303365	Propellor shaft cap	1	37	376074	Bearing housing and bearing assembly	1
9	13X332	Propellor shaft cotter pin	1	38	303339	Gear case to bearing housing gasket	1
10	302333	Shear pin	1	39	300771	Pump impeller pin	1
11	277276	Propellor assembly	1	40	376093	Drive shaft	1
12	300258	Gear case screw	6	40	376273	Drive shaft, 5 in. longer	1
13	303328	Upper to lower gear case seal . .	1	41	376073	Pinion shaft and shock absorber assembly	1
14	300611	Front bearing dowel	1	42	1X135	Pinion to pinion shaft key	1
15	301912	Shift lever pin cotter pin	1	43	303332	Upper gear housing shift rod bushing	1
16	302504	Shift rod pin	1	44	301877	Shift rod "O" ring	1
17	303358	Shifter lever pivot pin	1	45	43X156	Upper gear case spring screw . .	1
18	302756	Pivot pin gasket	1	46	303466	Upper gear case spring detent . .	1
19	303340	Shifter lever	1	47	303700	Detent spring back up spring . .	1
20	303381	Cradle	1	48	27A283	Drain and water flush plug	2
21	303401	Shift rod	1	49	27X284	Drain and water flush plug gasket	2
21	303666	Shift rod, 5 in. longer	1	50	300314	Plug	1
22	303380	Bearing, front	1	51	303331	Water intake screen	1
23	376235	Pinion, gears and bushing assembly	1	52	302681	Water by-pass cover screw	2
24	303361	Propellor shaft thrust washer . .	2	53	303344	Gear case water by-pass cover, upper	1
25	376078	Clutch dog shifter assembly	1	54	302325	Gear case extension screw	4
26	303360	Gear case head "O" ring	1	55	303672	Gear case extension	1
27	303345	Gear case head seal	1	56	376062	Gear case assembly, upper and lower	1
28	376069	Gear case head and bearing assembly	1				

*Not Shown

ORDER YOUR PARTS FROM YOUR DISTRICT SERVICE STATION.

FLEETWIN POWER HEAD



ORDER YOUR PARTS FROM YOUR DISTRICT SERVICE STATION.

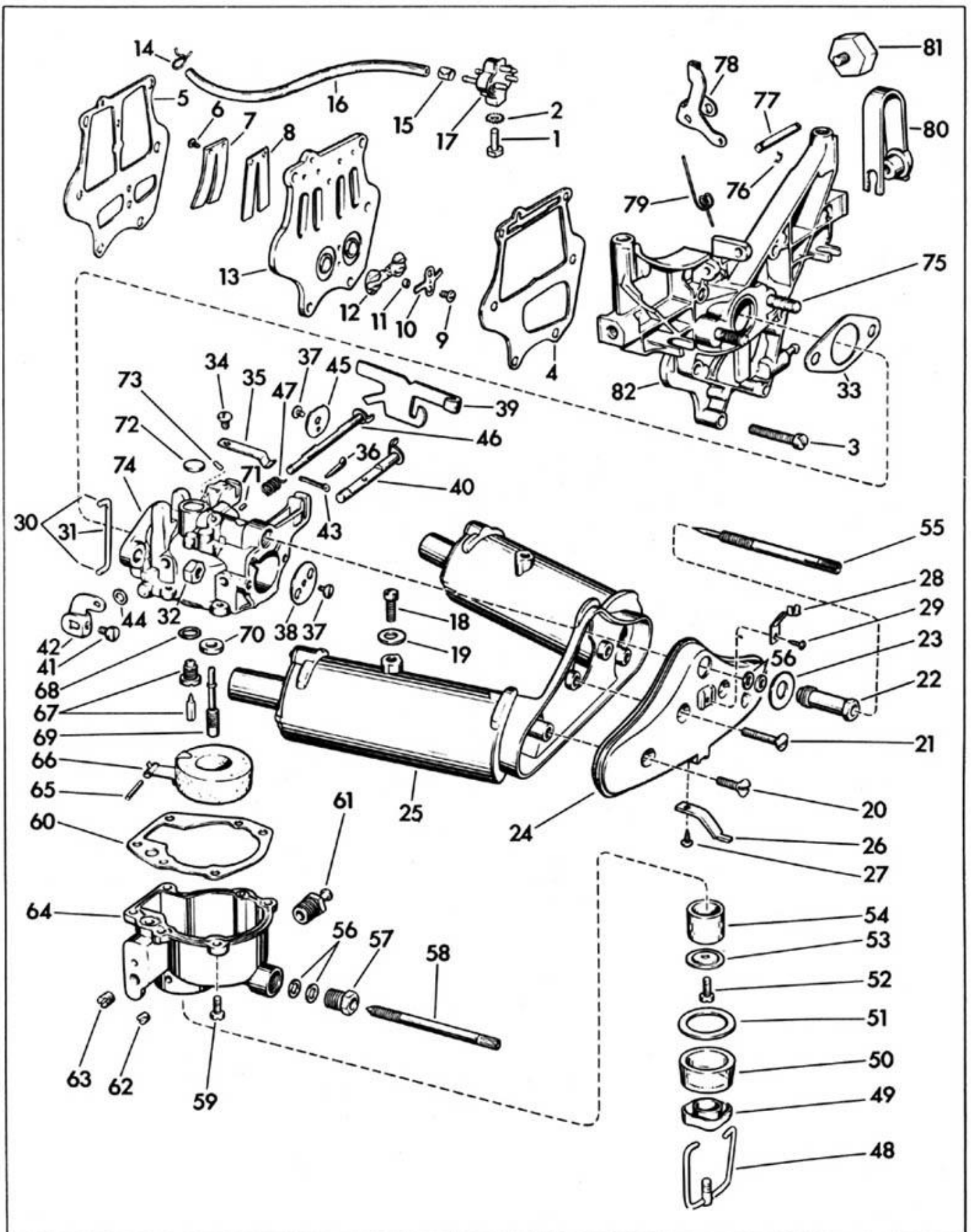
FLEETWIN POWER HEAD

REF. NO.	PART NO.	NAME OF PART	QTY.	REF. NO.	PART NO.	NAME OF PART	QTY.
*	277331	Power head	1	26	27X309	Water passage welch plug	3
1	43X156	Bearing clamp screw	2	27	277329	Cylinder head and plug	1
2	303109	Control lever bracket clamp . . .	2	28	202094	Oil drain line plug	1
3	303236	Armature plate control lever spring	1	29	277330	Cylinder and crankcase assembly.	1
4	203385	Armature plate control lever . . .	1	30	41X223	Armature plate support screw . .	4
5	277285	Motor cover mounting spring assembly	4	31	302599	Armature plate support - Models 7514 - 7515.	1
6	277291	Shock mount retainer assembly . .	4	31	303278	Armature plate support - Models 7516 - 7517.	1
7	202724	By-pass cover plate screw	8	32	303277	Armature plate retaining ring - Models 7516 - 7517	1
8	202527	By-pass cover	2	32	302442	Armature plate retaining ring - Models 7514 - 7515	1
9	202528	By-pass cover gasket	2	33	510168	Magneto cam.	1
10	202916	Exhaust cover plate screw	9	34	120395	Flywheel key	1
11	202730	Exhaust cover to cylinder screw long.	1	35	43A44	Connecting rod screw	4
12	203374	Exhaust cover plate	1	36	41A17	Connecting rod screw lock plate .	4
13	202580	Exhaust cover plate gasket	1	37	120325	Piston pin spring ring	4
14	203020	Exhaust cover plate water baffle .	1	38	202522	Piston pin	2
15	302749	High tension leads clamp	1	38	202523	Piston pin .005 O.S.	2
16	302431	Cylinder to crankcase screw, upper	2	39	277302	Connecting rod	2
17	27X17	Cylinder to crankcase screw, center	2	40	202524	Piston ring.	6
18	71X1084	Cylinder to crankcase screw, lower	2	40	203232	Piston ring .020 O.S.	6
19	300399	Cylinder to crankcase washer, upper and lower	4	41	300288	Piston dowel pin	6
20	21X167	Cylinder to crankcase screw . . .	4	42	276790	Piston less rings	2
21	300402	Cylinder to crankcase taper pin .	2	42	277200	Piston less rings .020 O.S. . . .	2
22	203433	Oil transfer tube (upper bearing) .	1	43	41A362	Oil slinger	1
23	200322	Spark plug assembly.	2	44	203375	Crank shaft	1
24	202727	Cylinder head cap screw	10	45	7X178	Oil reservoir welch plug	1
25	203034	Cylinder head gasket	1				

*Not shown.

ORDER YOUR PARTS FROM YOUR DISTRICT SERVICE STATION.

FLEETWIN CARBURETOR



ORDER YOUR PARTS FROM YOUR DISTRICT SERVICE STATION.

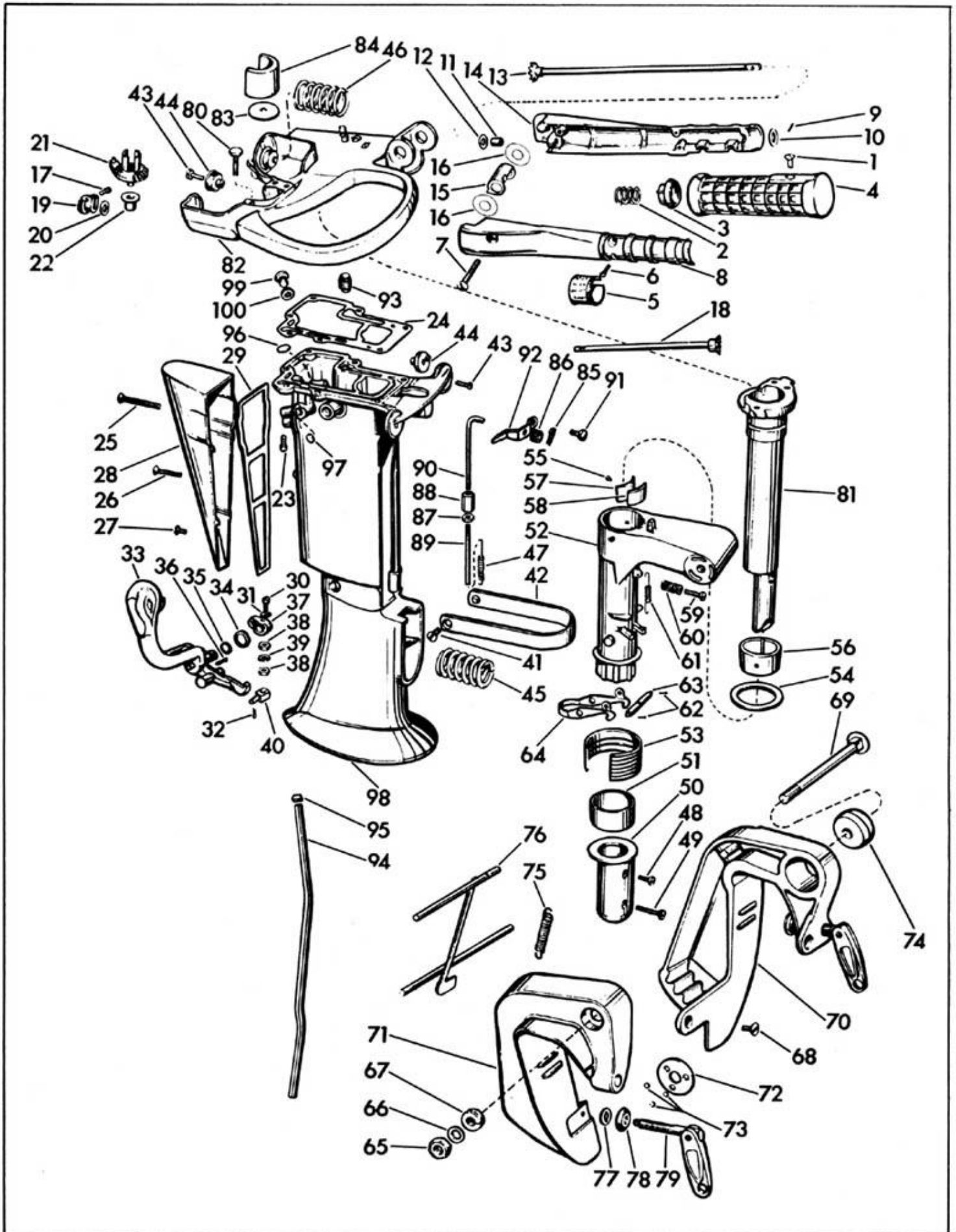
FLEETWIN CARBURETOR

REF. NO.	PART NO.	NAME OF PART	QTY.	REF. NO.	PART NO.	NAME OF PART	QTY.
*	376105	Carburetor assembly	1	41	71X1038	Throttle lever screw	1
1	21X359	Fuel connector body screw . . .	1	42	302978	Lever	1
2	51X137	Fuel connector-steering bracket lockwasher	1	43	303049	Throttle shaft cotter pin	1
3	133451	Manifold to crankcase screw . .	6	44	303048	Throttle shaft washer	1
4	203379	Manifold to leaf plate gasket . .	1	45	303477	Throttle valve	1
5	203378	Leaf plate to crankcase gasket . .	1	46	375922	Throttle shaft and lever assembly	1
6	303761	Leaf screw	4	47	302996	Throttle shaft spring	1
7	202668	Leaf back up plate	2	48	375992	Yoke and screw assembly	1
8	202667	Leaf	2	49	375989	Thumb nut and swivel cup assembly	1
*	277275	Carburetor leaf plate assembly . .	1	50	303121	Filter bowl	1
9	19X191	Check valve to leaf plate screw . .	2	51	303122	Filter bowl gasket	1
10	302048	Check valve spring	1	52	132509	Filter element screw	1
11	302046	Check valve spacer	2	53	303134	Gasoline filter retainer	1
12	302042	Air line check valve	1	54	303133	Filter element	1
13	203377	Leaf plate only	1	55	303448	Slow speed needle valve	1
14	302647	Carburetor and manifold hose clamp	2	56	43X123	High and slow speed valve packing	4
15	301822	Fuel connector hose clamp . . .	2	57	300179	High speed needle valve nut . . .	1
16	303460	Fuel connector to carburetor and manifold hose	2	58	303476	High speed needle valve	1
17	375788	Fuel connector body	1	59	71X1589	Float chamber to carburetor body screw	5
18	25X74	Silencer to manifold screw . . .	2	60	302994	Carburetor body to float chamber gasket	1
19	21X200	Silencer to manifold screw washer	2	61	303172	Gasoline filter nipple	1
20	302124	Cover plate to silencer body screw	2	62	303041	Float chamber drain screw . . .	1
21	200931	Silencer to carburetor screw . .	2	63	303125	Filter outlet screw plug	1
22	303479	Slow speed needle valve nut . .	1	64	303130	Float chamber	1
23	203355	Slow speed carburetor packing nut washer	1	65	300096	Float arm hinge pin	1
24	203387	Air silencer cover plate	1	66	375919	Float and arm	1
25	277286	Air silencer body and loading tube	1	67	375985	Float valve and seat	1
26	203479	High speed needle stop	1	68	301996	Float valve seat washer	1
27	303780	High speed needle stop screw . .	1	69	303478	High speed nozzle	1
28	203465	Slow speed needle stop	1	70	302984	Float chamber to carburetor boss gasket	1
29	61X109	Slow speed needle stop screw . .	1	71	21X295	Plug	1
30	41A110	Cam follower link pin	2	72	27X309	Expansion plug	1
31	203383	Throttle lever to cam follower link	1	73	301732	Carburetor body straight pin . . .	4
32	19X136	Carburetor to manifold nut . . .	2	74	376248	Carburetor body only	1
33	303437	Carburetor to manifold gasket . .	1	75	85A101	Manifold to carburetor stud . . .	2
34	302430	Carburetor body to spring screw	1	76	71A1052	Cam follower clip	2
35	302977	Choke control rod spring	1	77	203384	Cam follower pin	1
36	21X163	Choke control rod cotter pin . .	1	78	203381	Cam follower	1
37	302667	Throttle and choke valve to shaft screw	2	79	203382	Cam follower spring	1
38	303709	Choke valve	1	80	277285	Motor cover mounting spring assembly	4
39	302997	Choke control rod	1	81	277291	Shock mount retainer assembly . .	4
40	375921	Choke shaft and lever assembly	1	82	277277	Intake manifold and nipple assembly	1

*Not Shown

ORDER YOUR PARTS FROM YOUR DISTRICT SERVICE STATION.

FLEETWIN EXHAUST TUBE AND SWIVEL BRACKET



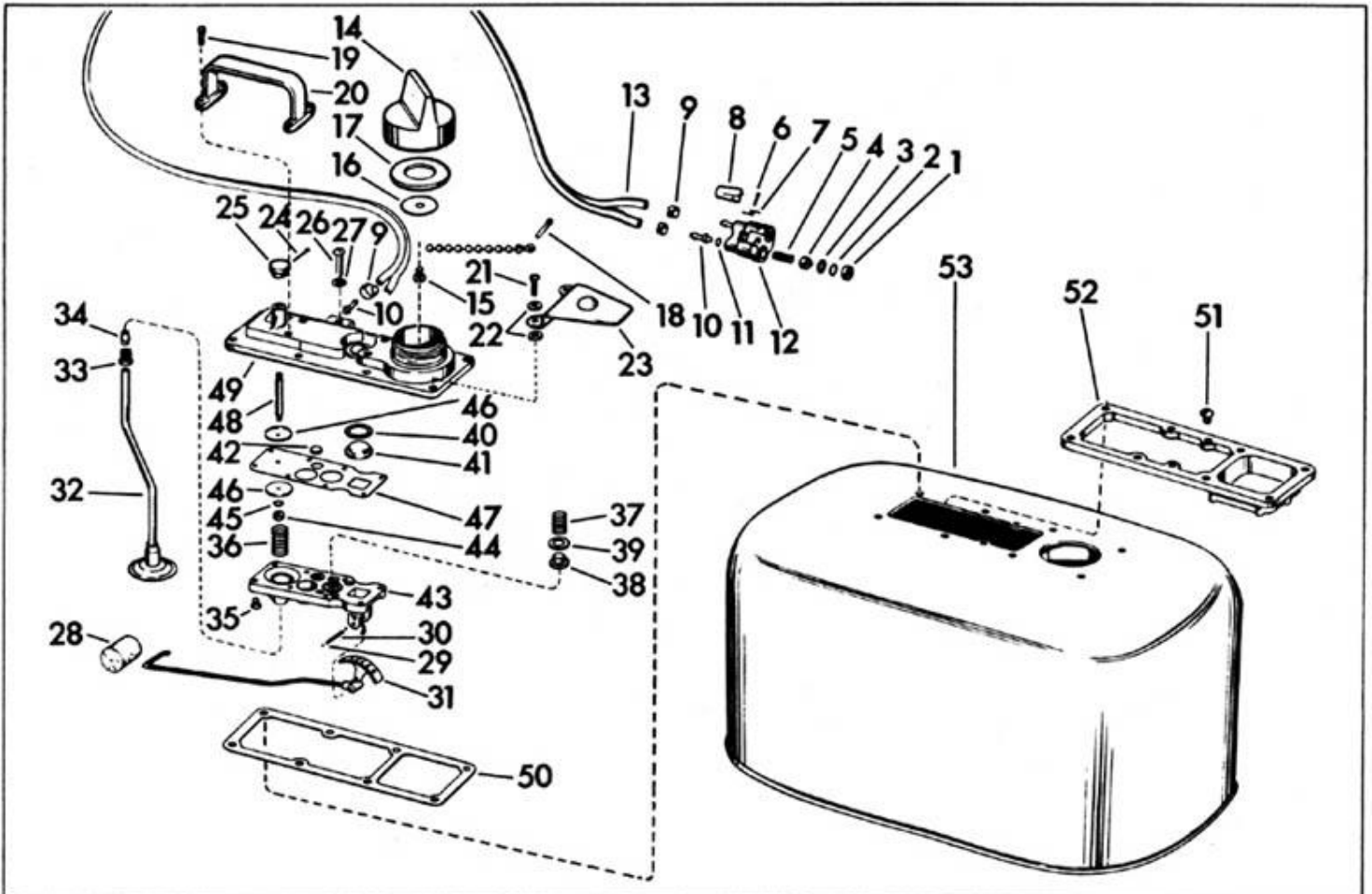
ORDER YOUR PARTS FROM YOUR DISTRICT SERVICE STATION.

FLEETWIN EXHAUST TUBE AND SWIVEL BRACKET

REF. NO.	PART NO.	NAME OF PART	QTY.	REF. NO.	PART NO.	NAME OF PART	QTY.
1	302710	Steering handle grip screw	1	49	302677	Steering brkt to retainer screw .	1
2	301656	Grip to friction block spring . . .	1	50	303372	Steering bracket retainer	1
3	303282	Grip friction block	1	51	303362	Friction band sleeve	1
4	203307	Steering handle grip	1	52	303406	Swivel bracket	1
5	203260	Steering handle throttle control plate	1	53	303371	Swivel bracket shock absorber - lower	1
6	133452	Steering handle halves screws . . .	2	54	303359	Steering bracket to swivel bracket thrust washer	1
7	303078	Steering handle halves screw . . .	1	55	303696	Swivel brkt to upper liner pin . .	1
8	303093	Steering handle - inner half . . .	1	56	303370	Upper liner	1
9	300346	Gear and shaft assembly groove pin	1	57	303697	Co-pilot plate to upper liner spacer	1
10	303252	Steering handle to spring washer . .	1	58	303363	Co-pilot plate	1
11	302717	Steering handle bushing	1	59	132679	Co-pilot plate screw	1
12	302712	Steering handle washer	1	60	551113	Co-pilot plate screw spring . .	1
13	277310	Throttle control gear and shaft assembly - long	1	61	303464	Reverse lock rod to swivel bracket spring	1
14	303094	Steering handle - outer half . . .	1	62	303049	Reverse lock shaft cotter pin . .	2
15	303096	Steering handle gears cover . . .	1	63	303436	Reverse lock rod	1
16	303079	Steering brkt to handle washer . . .	2	64	303421	Reverse locking lever	1
17	71X1352	Pinion screw	1	65	17X182	Tilting bolt nut	1
18	375979	Gear and shaft assembly - short . .	1	66	25X196	Spring to tilting bolt nut washer	1
19	303142	Throttle control pinion	1	67	302051	Tilting bolt spring	1
20	303107	Throttle control pinion gear washer	1	68	303396	Stern bracket screw - Port to Starboard	1
21	303410	Throttle control gear - Models 7514-7515	1	69	303349	Tilting bolt	1
21	303800	Throttle control gear - Models 7516-7517	1	70	376081	Stern bracket assembly - Port .	1
22	303140	Throttle control bushing	1	71	376082	Stern bracket assembly - Starboard	1
23	51X47	Flange to cylinder screw	7	72	202617	Stern bracket to swivel bracket shim	1
24	303467	D/S casing to cylinder gasket . . .	1	73	160084	Stern bracket to swivel bracket ball	3
25	303589	Cover to exhaust tube screw - upper	1	74	301983	Conical washer	1
26	303588	Cover to exhaust tube screw - center	1	75	202021	Tilting lever spring	1
27	303587	Cover to exhaust tube screw - lower	1	76	376063	Tilting lever assembly	1
28	303585	Exhaust tube cover	1	77	302420	Swivel plate retainer	2
29	303586	Exhaust tube to cover gasket . . .	1	78	41A48	Clamp screw swivel plate	2
30	303714	Shift lever shaft assembly screw . .	1	79	375744	Clamp screw, plate and retainer	2
31	303715	Shift lever to shaft washer	1	80	303398	Steering brkt to pilot shaft screw	3
32	15X268	Upper shift rod cotter pin	1	81	303500	Steering bracket pilot shaft . . .	1
33	376077	Shift lever and shaft assembly - Models 7514-7515	1	82	376122	Steering bracket assembly and bushing - Models 7514-7515 . .	1
33	376268	Shift lever and shaft assembly - Models 7516-7517	1	82	376269	Steering bracket assembly and bushing - Models 7516-7517 . .	1
34	303775	Shift lever and shaft assy washer . .	1	83	303353	Steering bracket plate	1
35	303191	Shift lever "O" ring	1	84	303350	D/S casing to steering brkt support	1
36	303236	Shift lever and shaft assembly to washer spring	1	85	550565	Reverse lock link to lever cotter pin	1
37	303354	Shift rod lever	1	86	303364	Reverse lock arm to reverse lock link grommet	1
38	85X64	Shift rod to connector nut	2	87	85X64	Reverse lock pin coupling lock nut	1
39	303701	Shift rod nut lockwasher	1	88	303706	Reverse lock link coupling	1
40	303702	Shift rod to lever connector	1	89	303705	Reverse lock link - lower	1
41	303397	Friction band to D/S casing screw . .	2	90	303408	Reverse lock link - upper	1
42	303392	Friction band	1	91	303368	Reverse lock arm shoulder screw	1
43	303394	Spring retainer screw	4	92	303409	Reverse lock arm	1
44	303369	Upper mount spring retainer	4	93	303348	Water tube nut	1
45	203451	Lower mount spring	2	94	303389	Water tube	1
45	203472	Lower mount spring, 5" longer . . .	2	94	303668	Water tube, 5" longer	1
46	203450	Upper mount spring	2	95	7X261	Water tube gland	1
46	203471	Upper mount spring, 5" longer . . .	2	96	39X139	Core plug - large	1
47	303465	Reverse lock rod to reverse rod spring	1	97	303405	Core plug - small	1
48	303393	Steering bracket to retainer screw - upper	1	98	376267	D/S casing and water tube	1
				99	27A283	Water flush plug	1
				100	27X284	Water flush plug gasket	1

ORDER YOUR PARTS FROM YOUR DISTRICT SERVICE STATION.

FLEETWIN FUEL TANK



REF. NO.	PART NO.	NAME OF PART	QTY.	REF. NO.	PART NO.	NAME OF PART	QTY.
*	277279	Fuel tank assembly	1	27	301814	Support plate to housing screw gasket	8
1	301828	Fuel connector seal ring retainer	2	28	302559	Fuel tank float	1
2	301824	Fuel connector seal "O" ring	2	29	302654	Indicator pin snap ring	1
3	301827	Fuel connector valve guide washer	2	30	302653	Indicator lower housing pin	1
4	301826	Fuel connector valve	2	31	376192	Indicator assembly	1
5	301825	Fuel connector valve spring	2	32	376191	Fuel tank foot valve assembly	1
6	301832	Fuel connector lock rivet	1	33	132691	Fuel line nut	1
7	301829	Fuel connector lock spring	1	34	13X304	Fuel line gland	1
8	301830	Fuel connector lock	1	35	13X558	Lower to upper housing screw	8
9	301822	Hose clamp	4	36	301803	Fuel pump spring	1
10	301820	Cover and connector hose nipple	4	37	302135	Pressure relief valve spring	1
11	301819	Nipple gasket	4	38	302136	Pressure relief valve	1
12	375587	Fuel connector housing assembly	1	39	302137	Pressure relief valve washer	1
13	303414	Hose	1	40	302571	Fuel tank glass seal	1
14	375817	Filler cap assembly	1	41	302568	Fuel tank glass	1
15	301837	Filler cap plate screw	1	42	301802	Fuel pump disc valve	2
16	302560	Filler cap plate	1	43	302555	Fuel tank lower housing	1
17	301835	Filler cap gasket	1	44	21X195	Push rod nut	1
18	15X213	Filler cap chain cotter pin	1	45	301736	Push rod lock washer	1
19	43X259	Handle to housing screw - upper	4	46	301800	Fuel pump diaphragm support	2
20	302570	Fuel tank handle	1	47	302563	Fuel pump diaphragm	1
21	132124	Hose retainer screw	4	48	302561	Fuel pump push rod	1
22	301814	Hose retainer screw gasket	4	49	302572	Fuel tank housing - upper	1
23	302802	Hose retainer	2	50	302557	Fuel tank gasket	1
24	17X186	Push button cotter pin	1	51	53X85	Support plate to tank screw	2
25	301815	Fuel pump push button	1	52	302556	Fuel tank support plate	1
26	132124	Support plate to housing screw - long	4	53	277280	Fuel tank only	1

*Not Shown

ORDER YOUR PARTS FROM YOUR DISTRICT SERVICE STATION

EVINRUDE MOTORS • MILWAUKEE 16, WISCONSIN

IN CANADA: EVINRUDE MOTORS, PETERBOROUGH, ONTARIO

KENCO-LITHO U.S.A.